

Cleo 760 Fluted one side, flat other side • Gloss or Silk Matte

Collection: Elevate



Cleo apron front sinks – Fireclay ceramic

- Double sided – use fluted or flat side
- White Gloss or White Silk Matte finish

Cleo double-sided ceramic apron front sinks are designed to be installed with the front of the sink exposed. You can choose to expose the fluted side or the flat side, depending on your chosen style aesthetic.

- Available in White Gloss or White Silk Matte finish
- Hygienic smooth surface
- Resistant to high temperatures, scratch resistant
- Includes stainless steel basket waste
- Stainless steel grid available as optional extra
- Colour wastes available as optional extra

Sink details

SUMMARY	Single bowl sink, apron front (fluted side, flat side)
MATERIAL	Fireclay ceramic
COLOUR	White, choice of White Gloss or White Silk Matte
OVERFLOW	No overflow
WASTE	90 mm stainless steel basket waste supplied as standard

Order codes

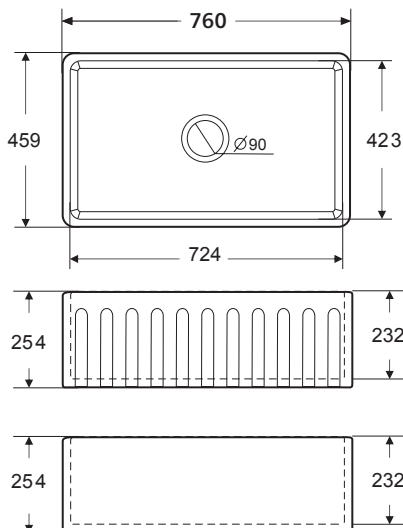
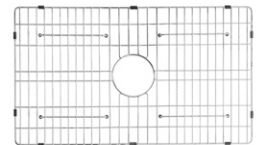
SINK + WASTE

Note: Sink is supplied with stainless steel basket waste as standard.

192756	Cleo 760, White Gloss
192916	Cleo 760, White Silk Matte

OPTIONAL STAINLESS STEEL GRID – AVAILABLE SEPARATELY

192955	Stainless steel grid to suit Cleo 760
--------	---------------------------------------



COLOUR WASTE OPTIONS – AVAILABLE SEPARATELY

Note: Sink is supplied with stainless steel basket waste as standard. The colour waste can be installed in place of the standard waste.

192166	Sink waste, Black Matte (plastic)
192709	Sink waste, White Matte (plastic)
192407	Sink waste, Brushed Gold
192406	Sink waste, Gunmetal



SEIMA

kitchen + laundry + bathroom ware

seima.com.au

Please note

- All measurements are in millimetres.
- Dimensions are nominal and subject to normal ceramic manufacturing variations of ± 5 mm.
- Fixing: Use silicone sealant. Do not use epoxy type adhesives.
- Always use the actual product to verify cutout.
- Specifications may vary without notice as part of our continuous improvement practices.
- Clean with a damp cloth. Do not use abrasive cleaners, liquids or pastes.